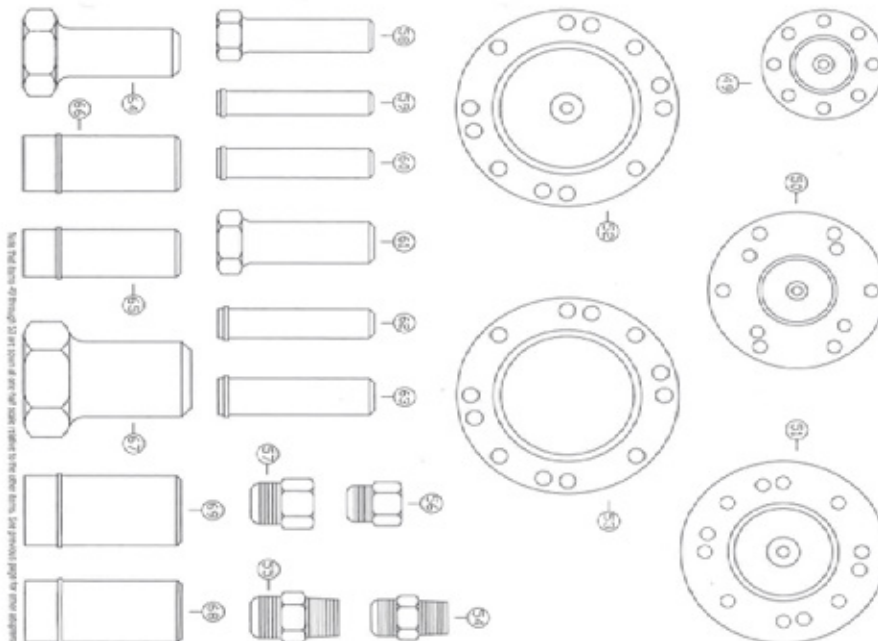


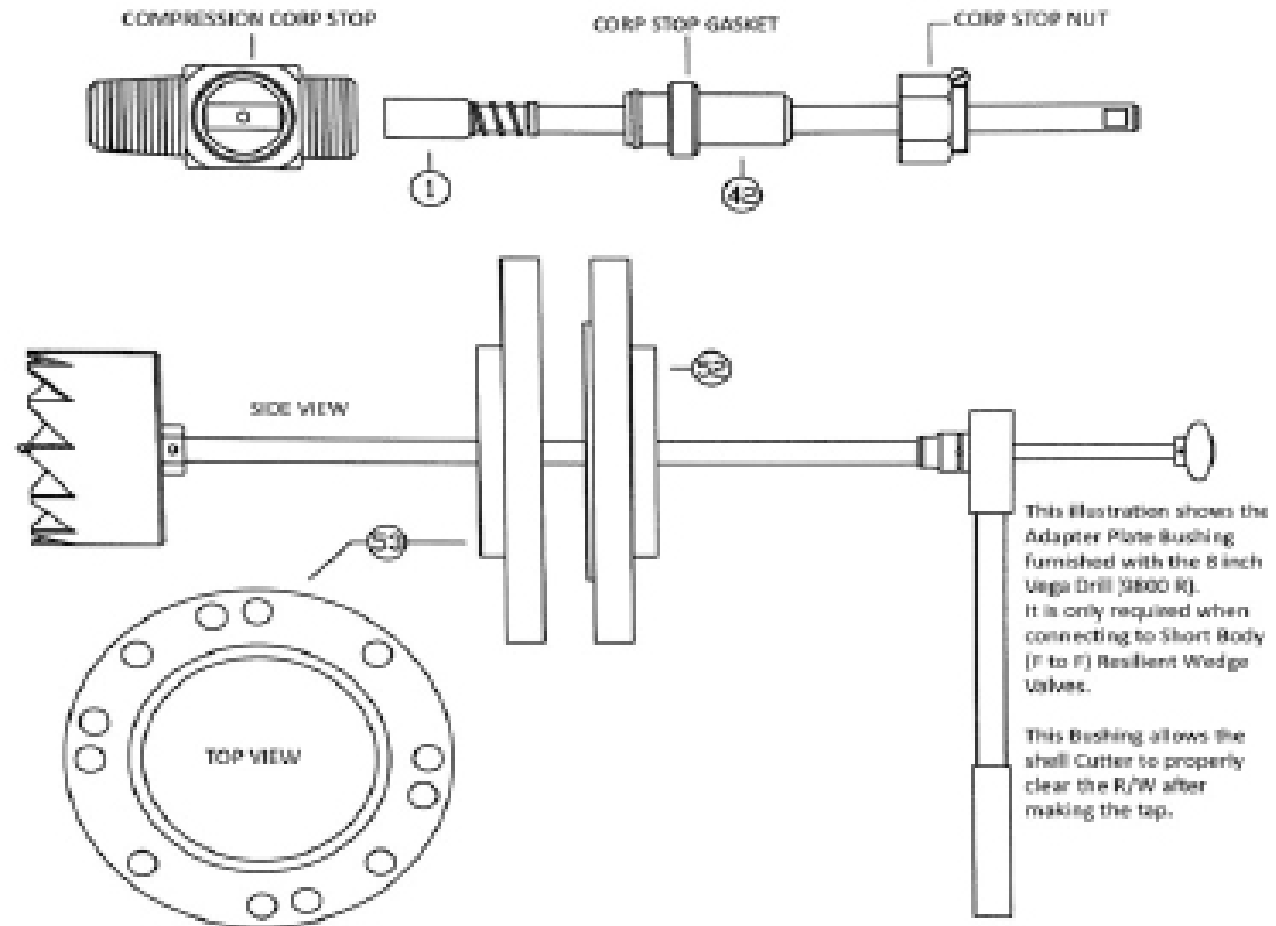
ADAPTERS

* Use with the 2" FIP Adapter to make a 1 1/2" FIP Adapter.

Catalog Number	Component Description	Illustration Key	List Price
3975F	3/4" Flare Adapter	41	\$ 110.40
3975C	3/4" CTS Compression Adapter	42	\$ 110.40
3975I	3/4" IPS Compression Adapter	43	\$ 110.40
3901F	1" Flare Adapter	44	\$ 126.10
3901C	1" CTS Compression Adapter	45	\$ 126.10
3901I	1" IPS Compression Adapter	46	\$ 126.10
3902F	2" Female Iron Pipe (FIP) Adapter	47	\$ 185.60
3902H*	2" NPT X 1 1/2" NPT Bushing	48	\$ 57.70
3903D	3" Pack-Off Plate (Flanged & MJ Valve)	49	\$ 207.00
3904D	4" Pack-Off Plate (Flanged & MJ Valve)	50	\$ 230.30
3906D	6" Pack-Off Plate (Flanged & MJ Valve)	51	\$ 517.30
3908D	8" Pack-Off Plate (Flanged & MJ Valve)	52	\$ 842.70
3908F	8" Adapter Plate Bushing	53	\$ 400.80
3975Q	3/4" Male Iron Pipe (MIP) X Flare Bushing	54	\$ 45.50
3901Q	1" Male Iron Pipe (MIP) X Flare Bushing	55	\$ 45.50
3975R	3/4" Female Iron Pipe (MIP) X Flare Bushing	56	\$ 45.50
3901R	1" Female Iron Pipe (MIP) X Flare Bushing	57	\$ 45.50
9075F	3/4" C900 Flare Adapter	58	\$ 142.70
9075C	3/4" C900 CTS Compression Adapter	59	\$ 142.70
9075I	3/4" C900 IPS Compression Adapter	60	\$ 142.70
9100F	1" C900 Flare Adapter	61	\$ 159.10
9100C	1" C900 CTS Compression Adapter	62	\$ 159.10
9100I	1" C900 IPS Compression Adapter	63	\$ 159.10
9150F	1 1/2" Flare Adapter	64	\$ 220.60
9150C	1 1/2" C900 CTS Compression Adapter	65	\$ 220.60
9150I	1 1/2" C900 IPS Compression Adapter	66	\$ 220.60
9200F	2" Flare Adapter	67	\$ 234.60
9200C	2" C900 CTS Compression Adapter	68	\$ 234.60
9200I	2" C900 IPS Compression Adapter	69	\$ 234.60



This illustration shows the assembly of a 3/4 inch Vega Drill and Compression Adapter to a compression Corporation Stop.



This illustration to the right shows that the Pack-Plate Adapters are designed to connect to both Flanged and Mechanical Joint Valves. The Adapter is shipped with a Flat Face Flange Gasket installed in place, but the Adapter can be reversed in the field and used with a Standard MJ Gasket.

This design feature also requires the two different Bolt Circle patterns as shown.

